

# ERGO REVRADIO HANDSET

© 2012 www.szikla.com



## The ERGO Remote Presenter Handset

Szikla ERGO is the attractive ergonomically shaped Handset compatible with the Szikla RevRadio Remote Presentation System. When idle the ERGO Handset uses no power so needs no on/off switch. Pressing the Forward or Reverse Button turns on unit and simultaneously transmits signal, consisting of a Channel Code set by the Channel Selector Switch, and a Forward or Reverse instruction for the Receiver. When the button is released the unit turns off again.

The RF amplifier uses a SAW Resonator as its main timing element, making the transmission frequency extremely accurate and stable even when pressed against the human body or metallic objects such as a Lectern, all of which challenge the stability of any RF device. The design of the RF transmission circuitry also ensures that great efficiency can be achieved in a small space, so no external antenna is required to obtain a useful and reliable range.

Reliable No Drop-Out Range when used with the RXREV Receiver is 50 Metres (165 Feet) for line of sight, and 30 Metres (100 Feet) through obstructions such as walls and people. If greater coverage is required, it is recommended that multiple Receivers in different locations be cabled together via their Button / Through connectors.

The ERGO Handset fits neatly in the palm and has an attractive sculpted appearance. The Bottom Panel is also shaped to sit with excellent stability on a flat surface such as a head table or a Lectern, for those times when mobile operation is not required.

Each ERGO Handset is fitted with a powerful 10 milliwatt Laser Pointer with a Large Dot that is easily visible on the brightest projection screens. Controls are placed ergonomically and are easily understood. Channel Switches are easily accessed, and Battery life is typically over a year.

## General Specifications ERGO HANDSET:

Frequency:	433.92MHz
Modulation Method:	A.S.K.
Frequency Lock:	433.92MHz SAW Resonator
Range with No Dropouts (RXREV Receiver):	30-50 Metres / 100-165 Feet
<b>MINIMUM DISTANCE</b> from Receiver:	2 Metres / 6.5 Feet
Battery:	9V PP3 (1 per year)
Current Draw Idle:	0mA
Current Draw Triggered:	48mA
Current Draw Laser Pointer:	43mA
Laser Pointer:	10mW Red Large Dot
Compatible Receivers:	RXREV
Enclosure:	Plastic
Dimensions:	85 x 63 x 27mm / 3.3 x 2.4 x 1.1 inches
Weight with Battery:	100 grams / 3.5 ounces

### 1 Forward and Reverse Buttons

When Button is pressed you feel a small tactile click, and the LED glows Green for Forward and Red for Reverse. When Button is released the LED continues to glow, and the unit continues to transmit for 200 milliseconds to help ensure a valid code is recognised by the RXREV Receiver, and to help overcome erratic operation by presenters who may be nervous or light fingered.

### 2 LED Battery/Transmission Indicator

LED glows Green for Forward and Red for Reverse. If LED fails to glow, the unit is telling you to change the Battery, but don't panic because you will still have full range and reliability for weeks to come. Alkaline battery life is typically a year and a half. **BATTERY CHANGE NORMALLY REQUIRED ONLY ONCE A YEAR !**

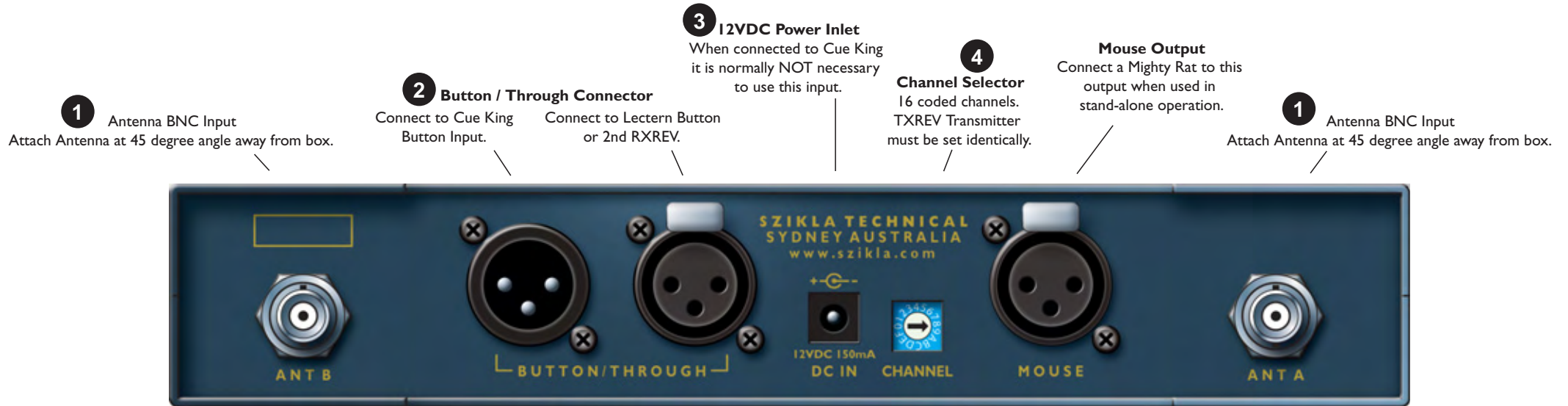
### 3 Rear Panel

Remove to insert standard 9 Volt PP3 Battery. Replace Battery only once a year when required. Rear Panel also has a small hole through which your tweaker can access the **Rotary Channel Selector Switch**. There are 16 coded channels, compatible with the RevRadio RXREV Receiver.

# RXREV REVERSING RECEIVER

© 2004 www.szikla.com

**SZIKLA**  
TECHNICAL



**Powdercoated Screenprinted Aluminium Enclosure**  
For greater durability and superior rejection of RF interference.

**5** Squelch Switch  
Set for close Range in board room, and Long Range in Auditorium. Helps to manage RF interference.

**Red Diversity LEDs**  
Valid transmission received on antenna A or B.

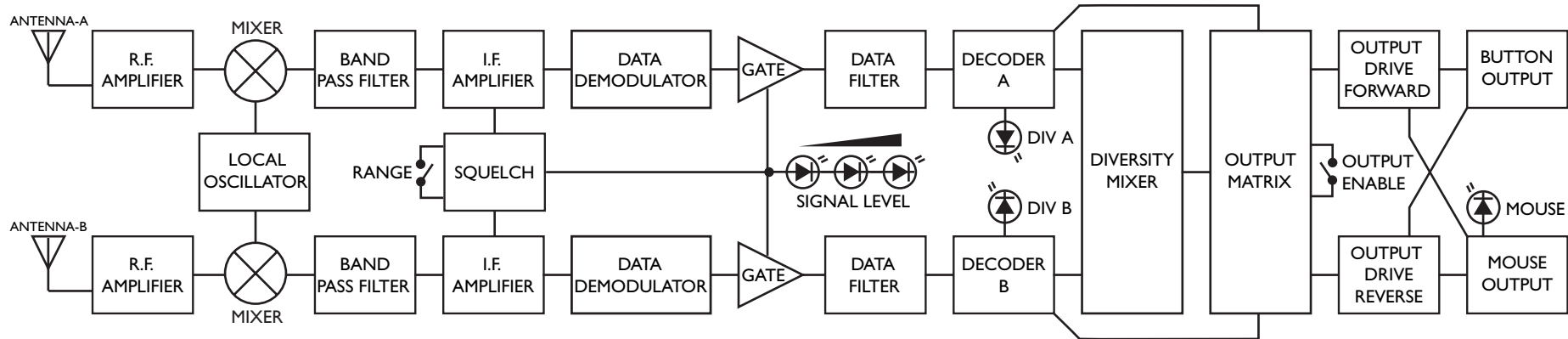
**Green Signal Strength LEDs**  
Indicates signal strength of valid transmission.

**Output Enable Switch**  
Allows Operator to mute or enable Button/Through and Mouse Outputs.

**6** Mouse Trigger LED  
Flashes once for each slide cue sent to the Mouse Output. Green=Forward, Red=Reverse.

**Orange Power LED**  
Shows that unit has power.

## RXREV SIGNAL FLOW



### 1 Antenna BNC Input

Attach supplied 433MHz Tuned 1/4 Wave Antenna here at 45 degree angle away from box. This angle is important if best reception is to be achieved. Reliable No Drop-Out Range with the TXREV Transmitter is 50 Metres (165 Feet) for line of sight, and 30 Metres (100 Feet) through obstructions such as walls and people. In normal use it is recommended that the RXREV Receiver should be elevated at least 700mm (2'3") above the floor. If greater coverage is required, it is recommended that multiple Receivers in different locations be connected together via their Button / Through connectors.

### 2 Button / Through Connector

Male XLR sends trigger pulse to, and derives 12 Volt DC power supply from Button Input of Cue King via standard mic cable. Female XLR connects to other triggers in chain, such as Buttons at several Lecterns, and up to 2 other RX1, RX2, or RXREV Receiver units (more if individually powered via DC Plugpack). The use of a connected Lectern Button WILL NOT trigger this device.

### 3 12VDC Power Inlet

To accept DC power from a Plugpack when used as a stand-alone unit, or when more than 3 units are connected to the same Cue King. Plugpack must be rated at 12VDC 150mA or greater. For normal operation it is NOT necessary to use this input, as the RXREV draws 12VDC Phantom Power from the Cue King.

### 4 Channel Selector Switch

The RXREV provides users with 16 Coded Channels for Remote Slide Cueing on the 433.92MHz Band, which correspond to the same 16 Channels on the TXREV Transmitter. These Channels are not the same as the 16 used by the Single Direction Units TX1, RX1 or RX2, and are on a different Group. If users wish to operate the Single Direction Devices on the Dual Direction Group, or vice versa, a small internal modification will make this possible. Szikla Technical can be contacted for more details if required.

### 5 Squelch

Allows only a signal strength of suitable level to be admitted for filtering and decoding. Its purpose is to limit reception to a pre-determined Range, so as to restrict the ingress of unwanted transmissions and RF background noise. Set for Close Range in Board Room or Breakout Room, reliable reception is restricted to between 10 and 20 Metres (33-66 Feet), and will become unreliable beyond this distance. Set for Long Range in Ballroom or Auditorium, reliable reception is extended to between 30-50 Metres (99-165 Feet) and will become unreliable beyond this distance. To yield maximum range the presenter should be trained to hold the Transmitter a minimum 100mm (4 Inches) away from their body. These distances are well established for clean air use, but the user may need to conduct their own checks to determine Reliable Range within a specific space. Because of the high gain of the RF input amplifiers, operation closer than 2 Metres (6.5 Feet) is not recommended.

### 6 Output Enable Switch

Allows Operator to Mute or Enable Button/Through and Mouse Outputs. It is recommended that this switch be disengaged when the unit is idle.

## General Specifications RXREV:

Frequency:	433.92MHz
Modulation Method:	A.S.K.
Conversion Method:	Crystal Locked Superheterodyne
Receiver Type:	Diversity
RF Input Impedance:	50 Ohm
RF Input Connectors:	BNC
Power:	12VDC
Current Draw Idle:	30mA
Current Draw Triggered:	100mA
Power Connector:	2.5mm DC Jack XLR (from Cue King)
Signal Connectors:	XLR
Dimensions:	224 x 185 x 40mm 8.8 x 7.25 x 1.58 inches
Weight:	800 grams 1 Lb 12.2 oz

Unit supplied with 2 x 433MHz Tuned 1/4 Wave Antennae